

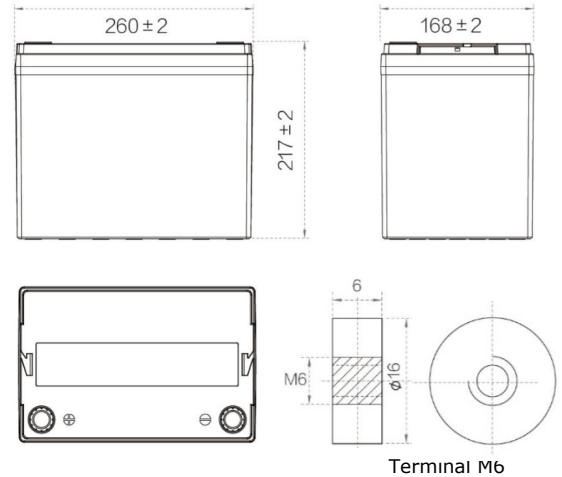
STANDBY SERIES SP12-80(12V80AH/10HR)

Specifications

Nominal Voltage	12V	
Nominal Capacity(10hr)	80AH	
Dimension	Length	260±2mm(10.24inch)
	Width	167±2mm(6.57inch)
	Height	213±2mm(8.39inch)
	Total Height	217±2mm(8.54inch)
Approx Weight	Approx. 22.5kg(+-4%)	
Terminal Type	M6	
container Material	ABS(UL-94HB)	
Internal Resistance	Approx.6.6mΩ	
Rated Capacity	83.0AH	(20hr, 1.75V/cell,25°C/77°F)
	80.0AH	(10hr, 1.75V/cell,25°C/77°F)
	70.0AH	(5hr, 1.75V/cell,25°C/77°F)
	65.0AH	(3hr, 1.75V/cell,25°C/77°F)
	46.0AH	(1hr, 1.75V/cell,25°C/77°F)
Max. Discharge Current	900A(5S)	
Nominal Operating Temp. Range	25±3°C (77±5°F)	
Cycle Use	Charge Current Less Than 0.25CA	
	14.1V~14.7V@25°C(77°F)Temp. Coefficient -30mV/°C	
Floating Use	13.5V~13.8V@25°C(77°F)Temp. Coefficient -20mV/°C	
Capacity affected by Temperature	40°C	103%
	25°C	100%
	0°C	86%
	-15°C	65%
Self-discharge	3 month	Remaining capacity: 91%
	6 month	Remaining capacity:82%
	12month	Remaining capacity:65%



Dimensions

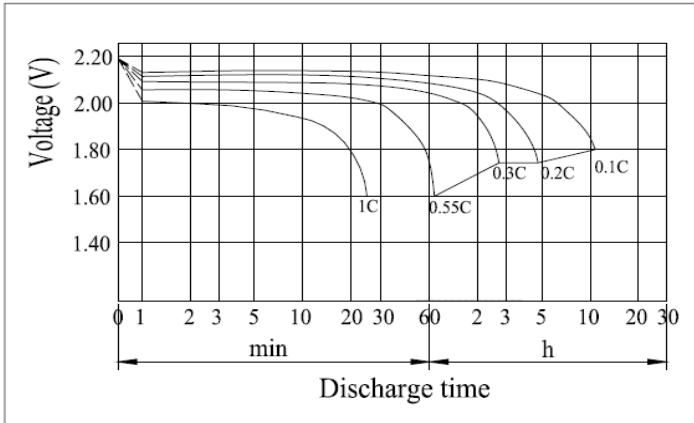


Constant Power Discharge at 25°C(77°F)												
F.V/Time	5min	10min	15min	30min	1h	2h	3h	4h	5h	6h	10h	20h
1.80V/cell	351	275	211	137	83,6	50,2	38,0	29,8	25,6	22,3	14,6	7,63
1.75V/cell	395	288	231	142	85,2	51,8	38,8	30,3	26,3	22,9	15,0	7,95
1.70V/cell	408	314	246	148	88,0	53,8	39,0	30,7	27,0	23,1	15,3	8,03
1.67V/cell	423	327	255	152	90,0	55,4	39,4	31,7	27,1	23,4	15,4	8,09
1.60V/cell	434	339	260	156	93,2	56,8	39,7	32,3	27,4	23,5	15,5	8,11

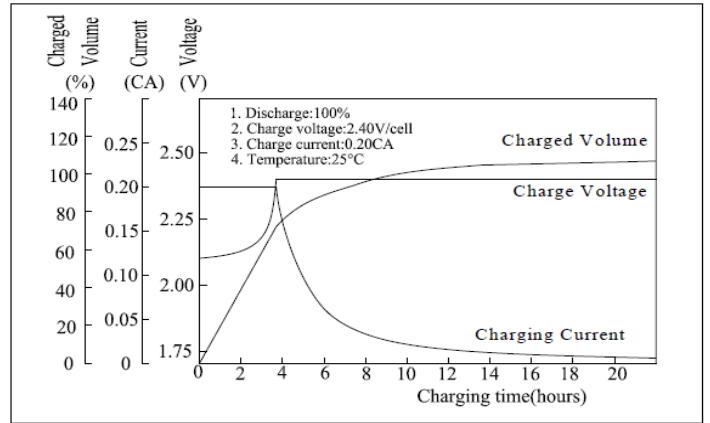
Constant Current Discharge at 25°C(77°F)												
F.V/Time	5min	10min	15min	30min	1h	2h	3h	4h	5h	6h	10h	20h
1.80V/cell	183	143	110	71,3	43,5	26,2	19,8	15,5	13,3	11,6	7,88	3,98
1.75V/cell	206	150	120	74,1	44,4	27,0	20,2	15,8	13,7	11,9	8,00	4,14
1.70V/cell	212	164	128	77,2	45,8	28,0	20,3	16,0	14,0	12,1	8,05	4,18
1.67V/cell	221	170	133	79,1	46,9	28,9	20,5	16,5	14,1	12,2	8,10	4,22
1.60V/cell	226	177	135	81,4	48,5	29,6	20,7	16,8	14,3	12,3	8,16	4,23

STANDBY SERIES SP12-80(12V80AH/10HR)

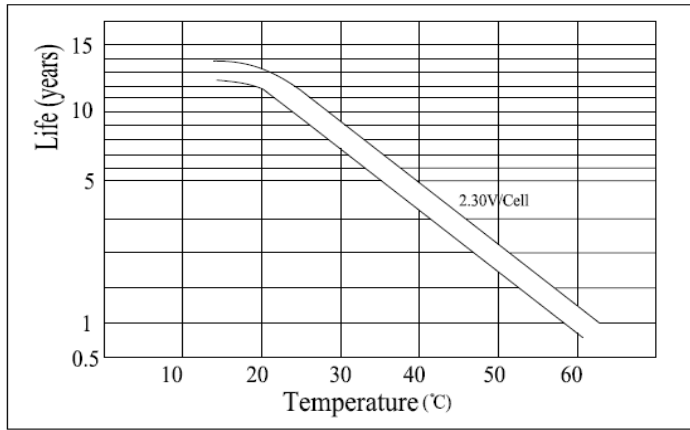
Discharge Characteristics



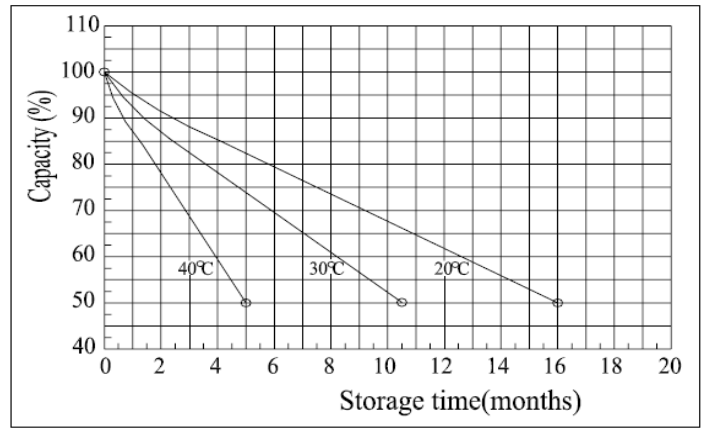
Float Charging Characteristics



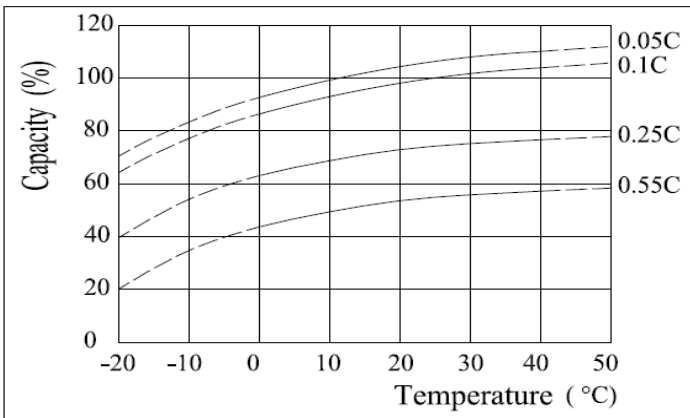
Floating Life on Temperature



Self Discharge Characteristics (25°C(77°F))



Temperature Effects in Relation to Battery Capacity



Cycle Life Relation to Depth of Discharge

