

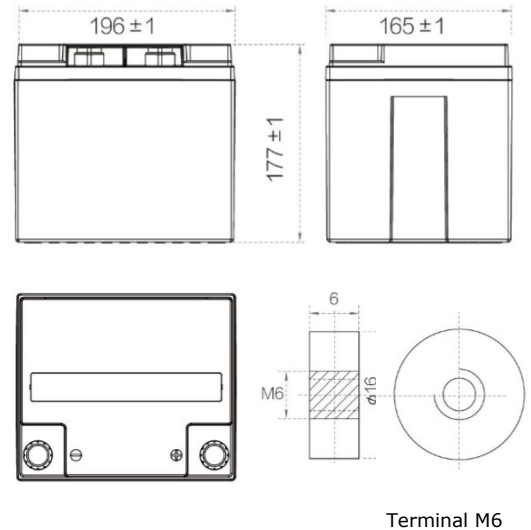
STANDBY SERIES SP12-42(12V42AH/10HR)

Specifications

Nominal Voltage	12V	
Nominal Capacity(10hr)	42AH	
Dimension	Length	196±2mm(7.72inch)
	Width	165±2mm(6.50inch)
	Height	177±2mm(6.97inch)
	Total Height	177±2mm(6.97inch)
Approx Weight	Approx. 13.5kg(+ -4%)	
Terminal Type	M6	
container Material	ABS(UL-94HB)	
Internal Resistance	Approx.8mΩ	
Rated Capacity	42.9AH	(20hr, 1.75V/cell,25°C/77°F)
	42.0AH	(10hr, 1.75V/cell,25°C/77°F)
	36.0AH	(5hr, 1.75V/cell,25°C/77°F)
	33.6AH	(3hr, 1.75V/cell,25°C/77°F)
	25.2AH	(1hr, 1.75V/cell,25°C/77°F)
Max. Discharge Current	480A(5S)	
Nominal Operating Temp. Range	25±3°C (77±5°F)	
Cycle Use	Charge Current Less Than 0.25CA	
	14.1V~14.7V@25°C(77°F)Temp. Coefficient -30mV/°C	
Floating Use	13.5V~13.8V@25°C(77°F)Temp. Coefficient -20mV/°C	
Capacity affected by Temperature	40°C	103%
	25°C	100%
	0°C	86%
	-15°C	65%
Self-discharge	3 month	Remaining capacity: 91%
	6 month	Remaining capacity:82%
	12month	Remaining capacity:65%



Dimensions



Terminal M6

Constant Power Discharge at 25°C(77°F)

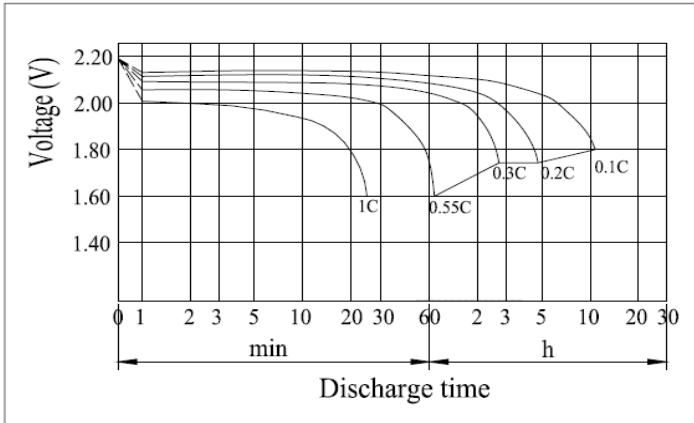
F.V/Time	5min	10min	15min	30min	1h	2h	3h	4h	5h	6h	10h	20h
1.80V/cell	257	166	144	91,0	53,9	30,4	23,6	20,3	17,1	12,6	8,72	4,63
1.75V/cell	276	182	152	93,2	56,2	31,5	24,0	20,7	17,6	13,5	8,80	4,67
1.70V/cell	296	196	160	95,6	58,0	32,8	24,8	21,2	18,1	13,8	8,88	4,76
1.67V/cell	317	211	166	98,1	60,0	33,7	25,8	21,9	18,5	14,1	9,07	4,81
1.60V/cell	337	225	175	100	62,3	34,8	26,6	22,5	19,2	14,5	9,17	4,83

Constant Current Discharge at 25°C(77°F)

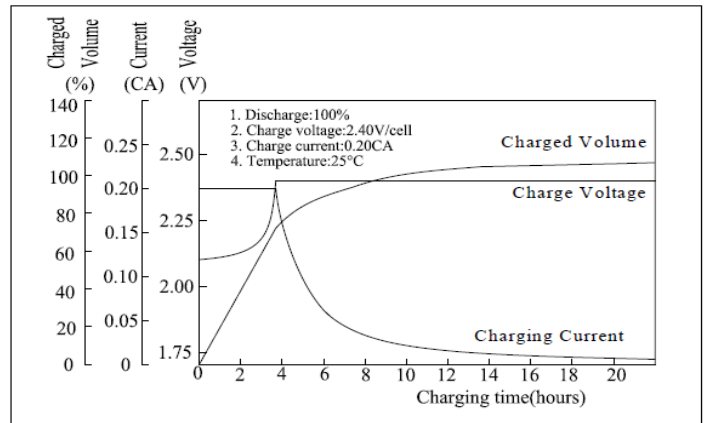
F.V/Time	5min	10min	15min	30min	1h	2h	3h	4h	5h	6h	10h	20h
1.80V/cell	128	83,2	72,0	45,5	26,9	15,2	11,8	10,1	7,31	6,29	4,36	2,31
1.75V/cell	138	91,1	75,8	46,6	28,1	15,8	12,0	10,4	7,51	6,74	4,40	2,33
1.70V/cell	148	98,2	79,8	47,8	29,0	16,4	12,4	10,6	7,72	6,92	4,44	2,38
1.67V/cell	158	105	83,2	49,0	30,0	16,8	12,9	11,0	7,92	7,07	4,54	2,40
1.60V/cell	169	112	87,3	50,2	31,1	17,4	13,3	11,3	8,19	7,25	4,58	2,42

**STANDBY SERIES
SP12-42(12V42AH/10HR)**

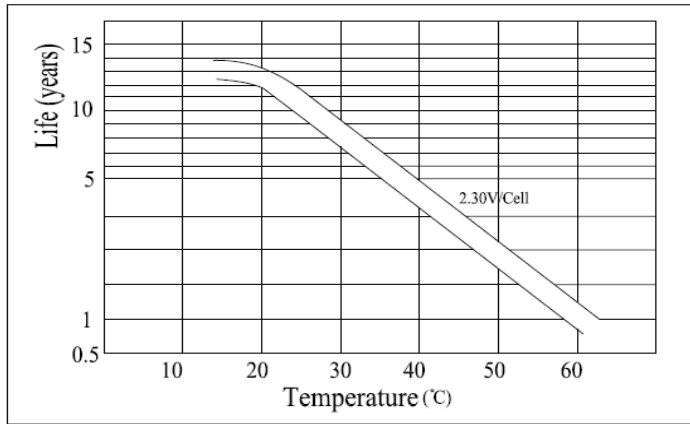
Discharge Characteristics



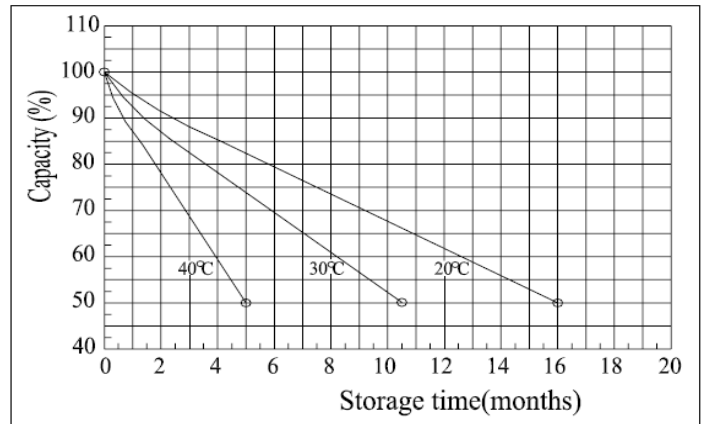
Float Charging Characteristics



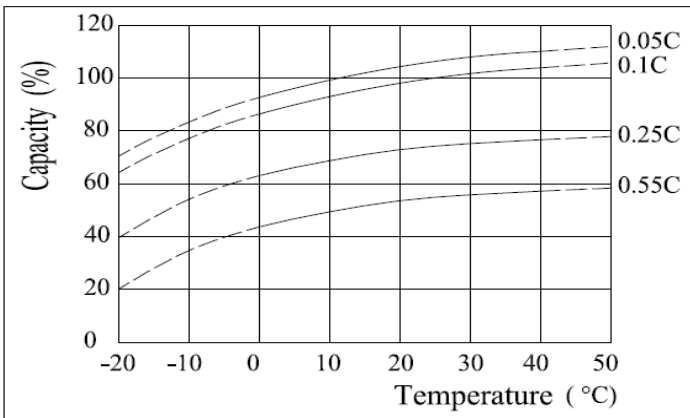
Floating Life on Temperature



Self Discharge Characteristics (25°C(77°F))



Temperature Effects in Relation to Battery Capacity



Cycle Life Relation to Depth of Discharge

