

# SDC Series

## SDC12-170 12V170Ah

SDC VRLA battery uses AGM and GEL hybrid technology, it has good deep cycle and large current discharge performance. As the economy-type solar battery, it can be widely used in renewable energy, electrical vehicle etc.



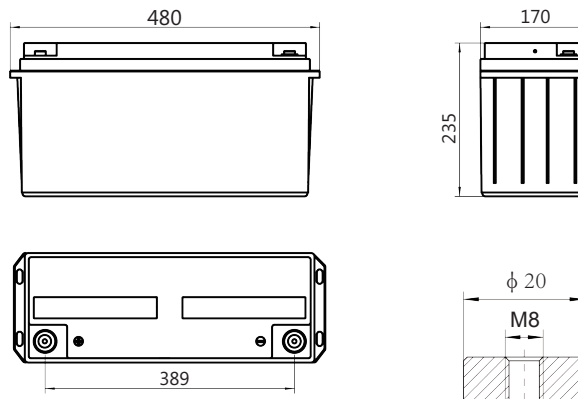
### Benefits

- Deep cycle for solar application
- Good large current discharge performance
- High gas recombination efficiency
- Maximum charge efficiency
- Low self-discharge rate
- Easy installation and handling

### Applications

- Electrical Vehicle
- Renewable Energy
- Universal

### Drawing



### Standards

- IEC 60896-21/22
- IEC 61427
- EUROBAT guide

### Specifications

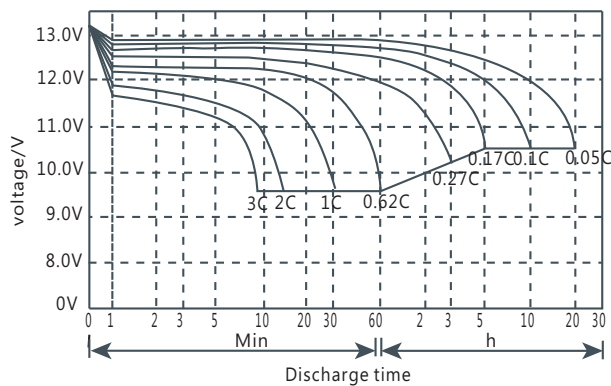
Battery Model	SDC12-170			
Design Life (years, 25°C)	10			
Capacity (Ah, 25°C)	20HR (8.65A, 1.75V)	10HR (17.0A, 1.75V)	5HR (33A, 1.75V)	3HR(50A, 1.75V)
	173	170	165	150
Dimensions (mm)	Length	Width	Height	Total Height
	480	170	235	235
Approx. Weight (kg)	52.0			
Reference Internal Resistance (mΩ)	3.8 ( fully charged @ 25°C)			
Maximum Discharge Current (A/10 Sec.)	1340			
Self-Discharge (25°C)	≤ 3% per month			
Charge Voltage (V/cell, 25°C)	Cycle use		Float use	
	2.45 (-3.0mV/°C/cell), max charge current: 25A		2.35 (-3.0mV/°C/cell)	
Short Circuit Current (A)	2430			

## Discharge Data

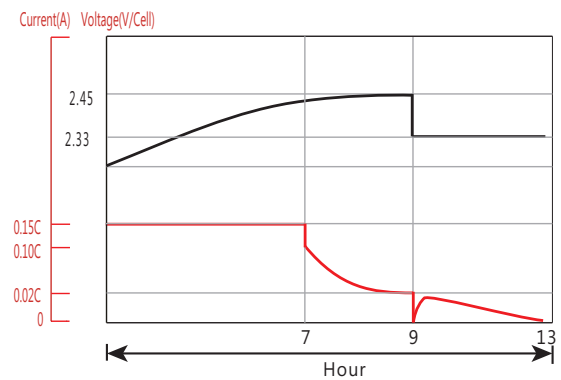
Constant Current Discharge Data (25°C, A)											
End Voltage (V/cell)	min				h						
	10	20	30	45	1	1.5	2	3	5	10	20
1.60	464.6	266.1	193.2	158.0	122.6	85.37	68.11	50.41	33.24	17.30	8.69
1.65	450.1	262.1	192.1	157.4	122.2	85.06	67.91	50.27	33.15	17.26	8.67
1.70	440.6	259.7	191.3	156.8	121.7	84.82	67.74	50.15	33.07	17.23	8.66
1.75	427.8	255.8	190.0	156.0	121.2	84.50	67.50	50	33.00	17.20	8.65

Constant Power Discharge Data (25°C, W/cell)											
End Voltage (V/cell)	min				h						
	10	20	30	45	1	1.5	2	3	5	10	20
1.60	734.5	463.0	350.5	263.9	216.6	162.1	134.5	99.9	65.99	35.39	19.61
1.65	729.4	461.3	349.8	263.5	216.3	161.7	134.1	99.6	65.88	35.33	19.60
1.70	725.2	459.4	348.8	263.0	215.8	161.1	133.5	99.4	65.78	35.29	19.58
1.75	693.0	447.3	342.0	259.3	213.5	160.2	133.0	99.2	65.69	35.27	19.57

## Performance Curve



Discharge performance



Charge performance

### Sacred Sun Power Sources Co., Ltd.

Add: No.1 Shengyang Road, Qufu 273100 PRC  
Tel: +86-537-4422313 Fax: +86-537-4411980  
Email: sales@sacredsun.cn

### Sacred Sun Hong Kong Co., Limited

Add: RM 19C Lockhart CTR 301-307 Lockhart RD Wan Chai, Hong Kong  
Email: admin.hk@sacredsun.hk

### Sacred Sun Asia Pacific Pte Ltd.

Add: 1 Ubi View, #04-12, Focus One, Singapore 408555  
Email: admin.sg@sacredsun.sg

### Sacred Sun Europe SARL

Add: ZAE Fontaine, 33210 Fargues, France  
Email: admin.eu@sacredsun.eu

### Sacred Sun MEA FZE

Add: No. 311 office, Building LOB 14, JAFZA, Dubai, UAE  
Email: admin.ae@sacredsun.ae