

# HTB Series

## GFM-800HTE 2V800Ah

Sacred Sun HTB VRLA battery uses latest AGM technology designed for high temperature resistant performance with good cycle life and fast charging acceptance ability. Its average temperature can be 35-40 C. HTB's reduced needs for cooling saves energy and reduces cost. It is suitable for high temperature environments both in floating and cyclic applications.



### Benefits

- Long life according to EUROBAT Classification
- Specifically designed for semi-stable mains
- High discharge performance
- 99%+ gas recombination efficiency
- Maximum charge efficiency
- Low self-discharge rate
- Easy installation and handling

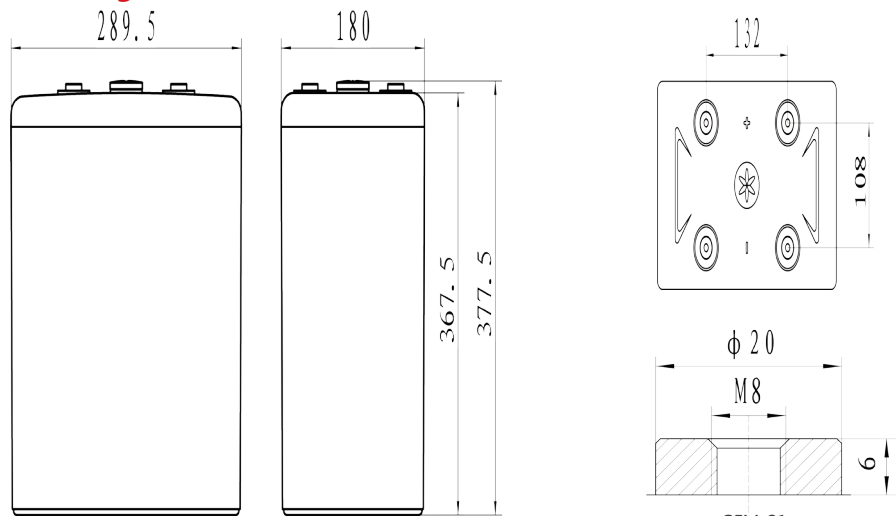
### Applications

- High temperature BTS
- Unstable grid BTS
- Remote area BTS
- Solar (Wind) energy storage system

### Standards

- JIS C8704-1
- JIS C8704-2
- IEC 60896-21/22
- IEC 61427
- EUROBAT guide

### Drawing



### Specifications

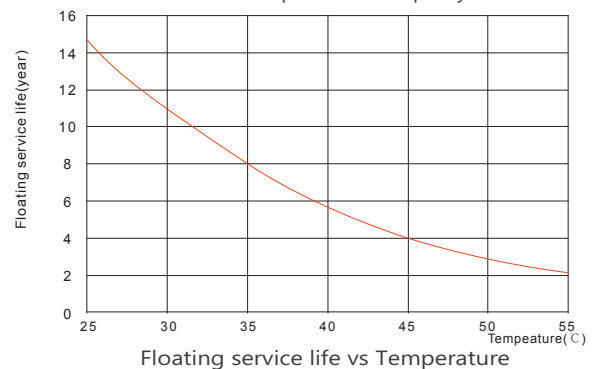
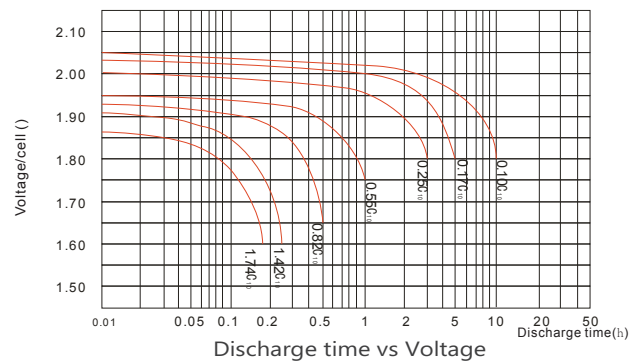
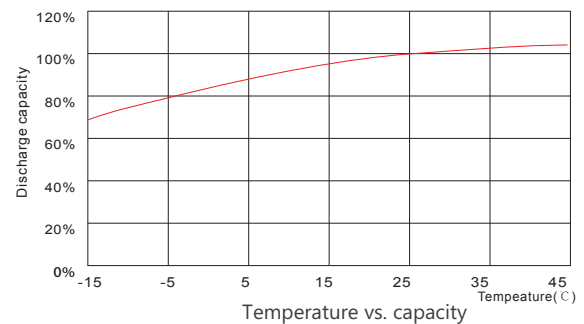
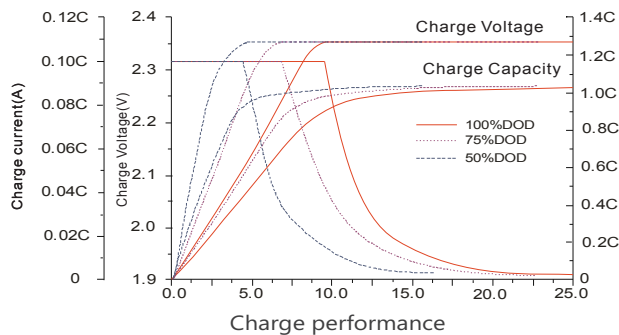
| Battery Model                        | GFM-800HTE                                     |                   |                       |                  |
|--------------------------------------|--|-------------------|-----------------------|------------------|
| Design Life (years, 25°C)            | 15   |                   |                       |                  |
| Capacity (Ah, 35°C)                  | 10HR (81.2A, 1.80V)                            | 5HR (147A, 1.80V) | 3HR (215A, 1.80V)     | 1HR 454A, 1.75V) |
|                                      | 812  | 735               | 645                   | 454              |
| Dimensions (mm)                      | Length   | Width             | Height                | Total Height     |
|                                      | 289.5  | 180               | 367.5                 | 377.5            |
| Approx. Weight (kg)                  | 48.9   |                   |                       |                  |
| Reference Internal Resistance (mΩ)   | 0.25 ( fully charged @ 25°C)                   |                   |                       |                  |
| Maximum Discharge Current (A/5 Sec.) | 4200   |                   |                       |                  |
| Self-Discharge (25°C)                | ≤1.0 % per month                               |                   |                       |                  |
| Charge Voltage (V/cell, 25°C)        | Cycle use                                      |                   | Float use             |                  |
|                                      | 2.35 (-3.5mV/°C/cell), max charge current:200A |                   | 2.25 (-3.5mV/°C/cell) |                  |
| Short Circuit Current (A)            | 8000   |                   |                       |                  |

## Discharge Data

| Constant Current Discharge Data (35°C, A) |     |     |     |     |     |     |     |       |      |      |      |      |
|---|-----|-----|-----|-----|-----|-----|-----|-------|------|------|------|------|
| End Voltage (V/cell)                      | min | h   |     |     |     |     |     |       |      |      |      |      |
|   | 30  | 1   | 2   | 3   | 4   | 5   | 6   | 8     | 10   | 24   | 48   | 100  |
| 1.75                                      | 675 | 471 | 294 | 218 | 183 | 149 | 131 | 104.0 | 87.3 | 38.7 | 20.2 | 11.0 |
| 1.80                                      | 648 | 454 | 286 | 215 | 180 | 147 | 130 | 103.0 | 81.2 | 38.4 | 19.5 | 10.8 |
| 1.85                                      | 609 | 414 | 279 | 209 | 176 | 144 | 128 | 101.0 | 79.1 | 37.9 | 19.3 | 10.4 |
| 1.88                                      | 519 | 349 | 264 | 178 | 157 | 134 | 127 | 91.3  | 75.1 | 34.1 | 17.5 | 9.6  |
| 1.90                                      | 454 | 325 | 247 | 170 | 152 | 132 | 126 | 89.3  | 73.1 | 32.5 | 17.0 | 9.5  |

| Constant Power Discharge Data (35°C, W/cell) |      |     |     |     |     |     |     |     |     |      |      |      |
|--|------|-----|-----|-----|-----|-----|-----|-----|-----|------|------|------|
| End Voltage (V/cell)                         | min  | h   |     |     |     |     |     |     |     |      |      |      |
|  | 30   | 1   | 2   | 3   | 4   | 5   | 6   | 8   | 10  | 24   | 48   | 100  |
| 1.75   | 1225 | 861 | 568 | 421 | 357 | 292 | 257 | 212 | 176 | 86.5 | 40.0 | 20.6 |
| 1.80   | 1152 | 834 | 553 | 413 | 349 | 286 | 252 | 209 | 174 | 85.5 | 38.6 | 20.1 |
| 1.85   | 1077 | 752 | 484 | 373 | 263 | 268 | 246 | 192 | 163 | 69.9 | 36.1 | 19.5 |
| 1.88   | 960  | 685 | 448 | 358 | 249 | 251 | 241 | 189 | 158 | 68.2 | 34.7 | 19.0 |
| 1.90   | 832  | 586 | 412 | 300 | 237 | 235 | 237 | 181 | 151 | 65.7 | 33.1 | 18.3 |

## Performance Curve



### Sacred Sun Power Sources Co., Ltd.

Add: No.1 Shengyang Road, Qufu 273100 PRC  
Tel: +86-537-4422313 Fax: +86-537-4411980  
Email: sales@sacredsun.cn

### Sacred Sun Hong Kong Co., Limited

Add: RM 19C Lockhart CTR 301-307 Lockhart RD Wan Chai, Hong Kong  
Email: admin.hk@sacredsun.hk

### Sacred Sun Asia Pacific Pte Ltd.

Add: 1 Ubi View, #04-12, Focus One, Singapore 408555  
Email: admin.sg@sacredsun.sg

### Sacred Sun Europe SARL

Add: ZAE Fontaine, 33210 Fargues, France  
Email: admin.eu@sacredsun.eu

### Sacred Sun MEA FZE

Add: No. 311 office, Building LOB 14, JAFZA, Dubai, UAE  
Email: admin.ae@sacredsun.ae