

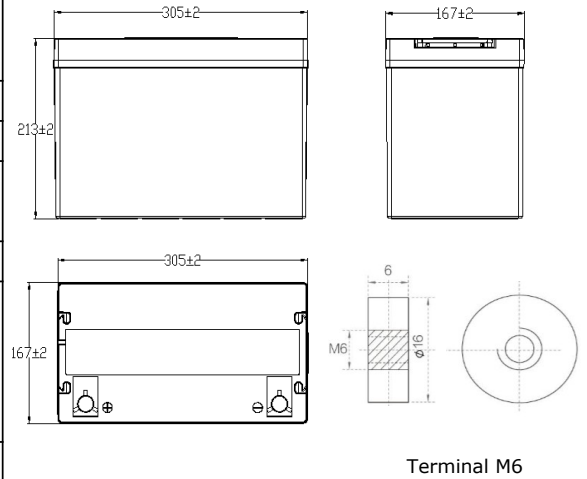
GEL SERIES 6GFMJ90(12V90AH/10HR)

Specifications

Nominal Voltage	12V	
Nominal Capacity(10hr)	90AH	
Dimension	Length	305±2mm(12.01inch)
	Width	167±2mm(6.57inch)
	Height	210±2mm(8.27inch)
	Total Height	213±2mm(8.39inch)
Approx Weight	Approx. 26.5kg(+/-4%)	
Terminal Type	M6	
container Material	ABS(UL-94HB)	
Internal Resistance	Approx.5mΩ	
Rated Capacity	95.0AH	(20hr, 1.75V/cell,25°C/77°F)
	90.00AH	(10hr, 1.75V/cell,25°C/77°F)
	80.0AH	(5hr, 1.75V/cell,25°C/77°F)
	68.0AH	(3hr, 1.75V/cell,25°C/77°F)
	50.0AH	(1hr, 1.75V/cell,25°C/77°F)
Max. Discharge Current	900A(5S)	
Nominal Operating Temp. Range	25±3°C (77±5°F)	
Cycle Use	Charge Current Less Than 0.25CA	
	14.1V~14.7V@25°C(77°F)Temp. Coefficient -30mV/°C	
Floating Use	13.5V~13.8V@25°C(77°F)Temp. Coefficient -20mV/°C	
Capacity affected by Temperature	40°C	103%
	25°C	100%
	0°C	86%
	-15°C	65%
Self-discharge	3 month	Remaining capacity: 91%
	6 month	Remaining capacity:82%
	12month	Remaining capacity:65%



Dimensions

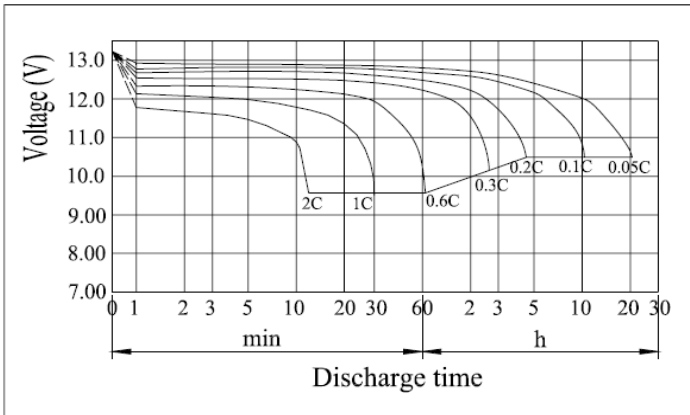


Constant Power Discharge at 25°C(77°F)												
F.V/Time	5min	10min	15min	30min	1h	2h	3h	4h	5h	6h	10h	20h
1.80V/cell	312	268	239	176	102	61,9	43,3	33,0	26,9	23,4	17,5	9,44
1.75V/cell	352	306	261	181	103	63,4	44,1	33,3	27,6	23,9	17,8	9,58
1.70V/cell	393	330	281	186	106	64,7	44,9	34,4	28,2	24,2	17,9	9,58
1.67V/cell	419	338	287	188	109	65,5	45,7	35,1	28,9	24,5	18,1	9,58
1.60V/cell	427	343	290	189	112	66,8	46,1	35,8	29,5	24,7	18,2	9,58

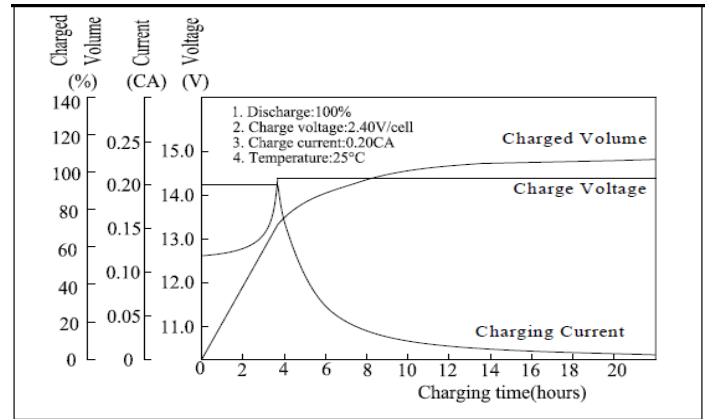
Constant Current Discharge at 25°C(77°F)												
F.V/Time	5min	10min	15min	30min	1h	2h	3h	4h	5h	6h	10h	20h
1.80V/cell	215	161	129	94	53,4	33,4	24,9	19,0	15,8	14,2	8,91	4,67
1.75V/cell	239	185	137	95	55,5	34,3	25,1	19,1	16,1	14,2	8,97	4,75
1.70V/cell	245	189	147	97	56,4	35,1	25,5	19,2	16,4	14,4	9,03	4,77
1.67V/cell	258	192	149	99	57,5	36,0	25,6	19,3	16,7	14,6	9,15	4,78
1.60V/cell	260	193	151	101	58,3	36,8	25,9	19,6	16,9	14,7	9,28	4,79

GEL SERIES 6GFMJ90(12V90AH/10HR)

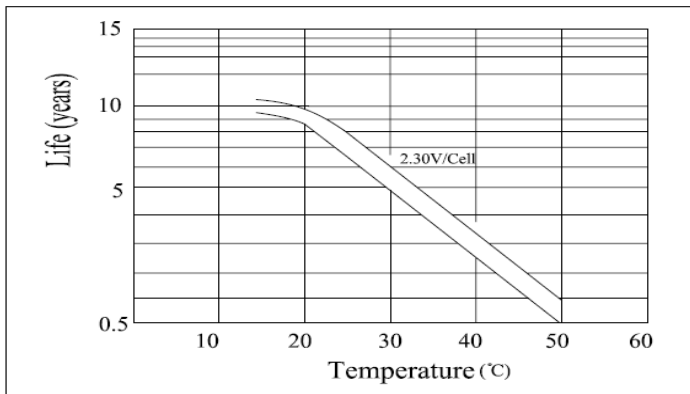
Discharge Characteristics



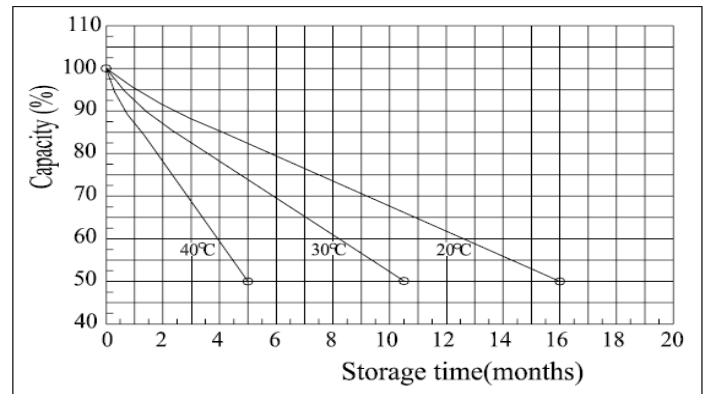
Charging Characteristics



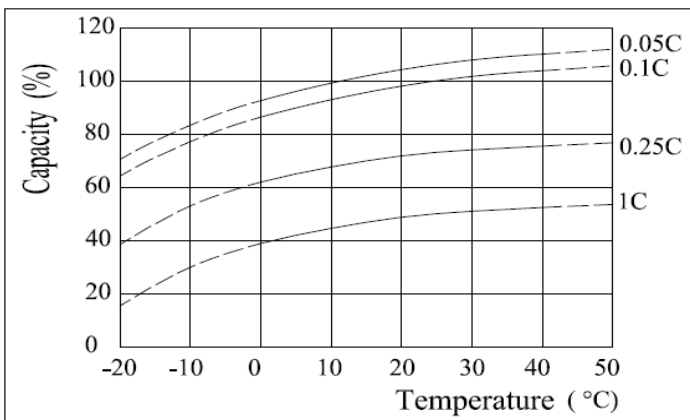
Floating Life on Temperature



Self Discharge Characteristics (25°C(77°F))



Temperature Effects in Relation to Battery Capacity



Cycle Life Relation to Depth of Discharge

