

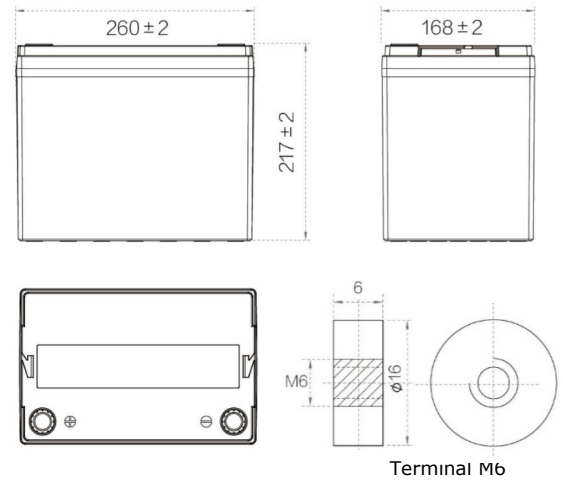
GEL SERIES 6GFMJ75(12V75AH/10HR)

Specifications

Nominal Voltage	12V	
Nominal Capacity(10hr)	75AH	
Dimension	Length	260±2mm(10.24inch)
	Width	167±2mm(6.57inch)
	Height	213±2mm(8.39inch)
	Total Height	217±2mm(8.54inch)
Approx Weight	Approx. 21.5kg(+ -4%)	
Terminal Type	M6	
container Material	ABS(UL-94HB)	
Internal Resistance	Approx.6.6mΩ	
Rated Capacity	78.60AH	(20hr, 1.75V/cell,25°C/77°F)
	75.00AH	(10hr, 1.75V/cell,25°C/77°F)
	65.40AH	(5hr, 1.75V/cell,25°C/77°F)
	58.86AH	(3hr, 1.75V/cell,25°C/77°F)
	40.45AH	(1hr, 1.75V/cell,25°C/77°F)
Max. Discharge Current	900A(5S)	
Nominal Operating Temp. Range	25±3°C (77±5°F)	
Cycle Use	Charge Current Less Than 0.25CA	
	14.1V~14.7V@25°C(77°F)Temp. Coefficient -30mV/°C	
Floating Use	13.5V~13.8V@25°C(77°F)Temp. Coefficient -20mV/°C	
Capacity affected by Temperature	40°C	103%
	25°C	100%
	0°C	86%
	-15°C	65%
Self-discharge	3 month	Remaining capacity: 91%
	6 month	Remaining capacity:82%
	12month	Remaining capacity:65%



Dimensions

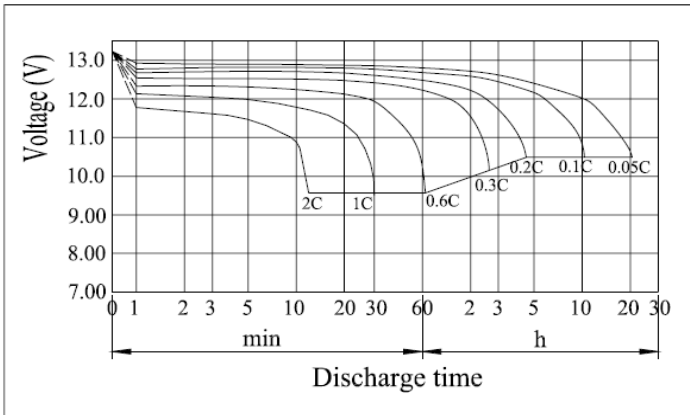


Constant Power Discharge at 25°C(77°F)												
F.V/Time	5min	10min	15min	30min	1h	2h	3h	4h	5h	6h	10h	20h
1.80V/cell	450,65	306,57	209,95	127,65	78,22	48,82	37,95	29,85	25,30	16,91	14,56	7,62
1.75V/cell	454,43	309,15	211,64	128,74	78,88	49,22	38,27	30,10	25,51	17,04	14,77	7,73
1.70V/cell	465,87	316,92	217,01	131,95	80,86	50,46	39,22	30,86	26,15	17,47	14,99	7,85
1.67V/cell	477,21	324,68	222,29	135,17	82,83	51,69	40,19	31,60	26,79	17,90	15,20	7,96
1.60V/cell	498,41	339,10	232,14	141,19	86,51	53,99	41,97	33,01	27,98	18,70	15,42	8,08

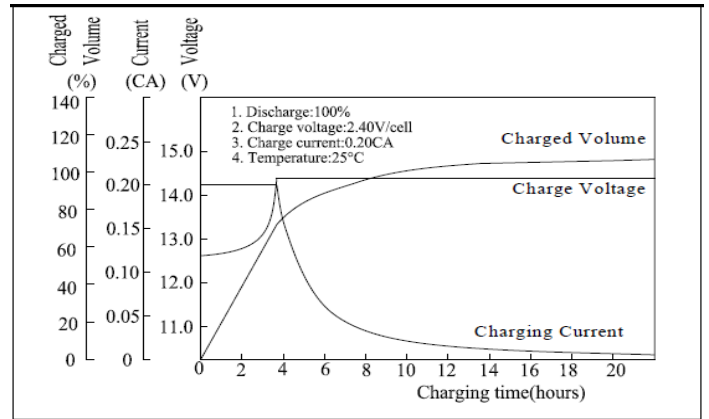
Constant Current Discharge at 25°C(77°F)												
F.V/Time	5min	10min	15min	30min	1h	2h	3h	4h	5h	6h	10h	20h
1.80V/cell	231,14	157,21	107,65	65,46	40,11	25,03	19,46	15,30	12,98	8,67	7,39	3,87
1.75V/cell	233,03	158,51	108,56	66,02	40,45	25,24	19,62	15,43	13,08	8,75	7,50	3,93
1.70V/cell	238,91	162,49	111,27	67,67	41,46	25,88	20,12	15,82	13,41	8,97	7,62	3,98
1.67V/cell	244,68	166,47	113,99	69,32	42,48	26,51	20,61	16,21	13,74	9,17	7,72	4,04
1.60V/cell	255,62	173,93	119,06	72,41	44,37	27,69	21,52	16,93	14,35	9,59	7,83	4,10

GEL SERIES 6GFMJ75(12V75AH/10HR)

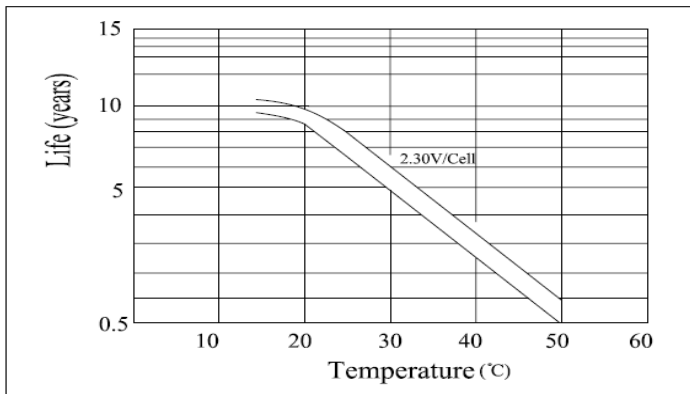
Discharge Characteristics



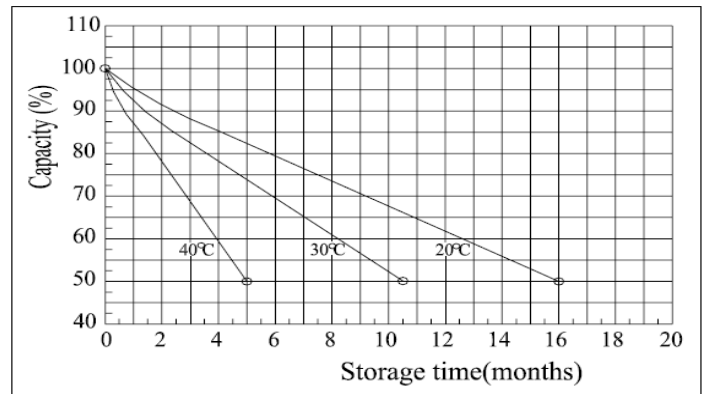
Charging Characteristics



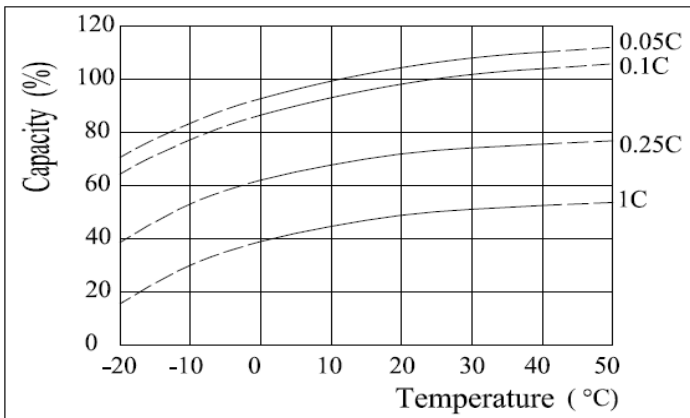
Floating Life on Temperature



Self Discharge Characteristics (25°C(77°F))



Temperature Effects in Relation to Battery Capacity



Cycle Life Relation to Depth of Discharge

