

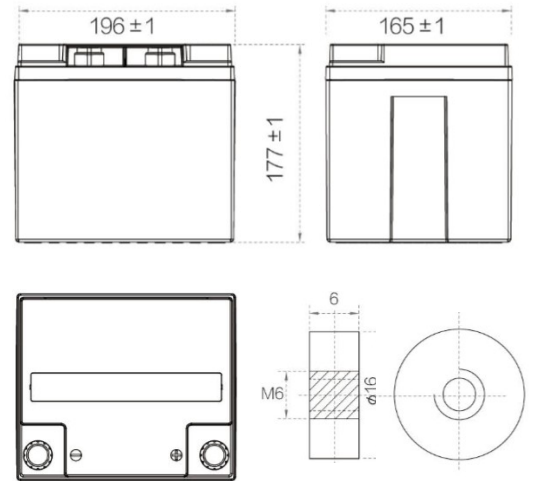
GEL SERIES 6GFMJ40(12V40AH/10HR)

Specifications

Nominal Voltage	12V	
Nominal Capacity(10hr)	40AH	
Dimension	Length	196±2mm(7.72inch)
	Width	165±2mm(6.50inch)
	Height	170±2mm(6.69inch)
	Total Height	170±2mm(6.69inch)
Approx Weight	Approx. 12.0kg(+/-4%)	
Terminal Type	M6	
container Material	ABS(UL-94HB)	
Internal Resistance	Approx.8mΩ	
Rated Capacity	40.6Ah	(20hr, 1.75V/cell,25°C/77°F)
	40.0Ah	(10hr, 1.75V/cell,25°C/77°F)
	30.0Ah	(5hr, 1.75V/cell,25°C/77°F)
	27.0Ah	(3hr, 1.75V/cell,25°C/77°F)
	21.0Ah	(1hr, 1.75V/cell,25°C/77°F)
Max. Discharge Current	480A(5S)	
Nominal Operating Temp. Range	25±3°C (77±5°F)	
Cycle Use	Charge Current Less Than 0.25CA	
	14.1V~14.7V@25°C(77°F)Temp. Coefficient -30mV/°C	
Floating Use	13.5V~13.8V@25°C(77°F)Temp. Coefficient -20mV/°C	
Capacity affected by Temperature	40°C	103%
	25°C	100%
	0°C	86%
	-15°C	65%
Self-discharge	3 month	Remaining capacity: 91%
	6 month	Remaining capacity:82%
	12month	Remaining capacity:65%



Dimensions



Terminal M6

Constant Power Discharge at 25°C(77°F)

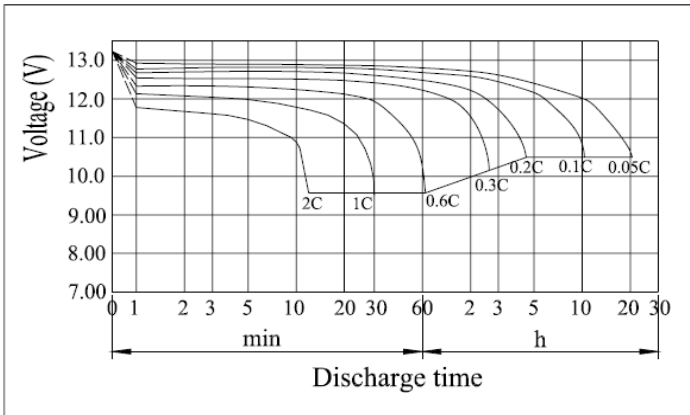
F.V/Time	5min	10min	15min	30min	1h	2h	3h	4h	5h	6h	10h	20h
1.80V/cell	183,53	152,12	122,88	78,94	43,44	26,95	19,03	15,80	12,39	11,12	7,35	3,97
1.75V/cell	186,47	157,90	123,87	79,62	43,94	27,59	19,38	16,03	12,48	11,19	7,40	3,97
1.70V/cell	199,36	162,20	127,14	81,09	44,27	27,75	19,67	16,17	12,66	11,20	7,42	3,97
1.67V/cell	210,43	166,82	130,64	82,92	44,59	27,91	19,92	16,23	12,86	11,24	7,43	3,98
1.60V/cell	222,97	170,45	132,47	83,74	45,88	28,07	20,41	16,41	12,91	11,37	7,44	3,98

Constant Current Discharge at 25°C(77°F)

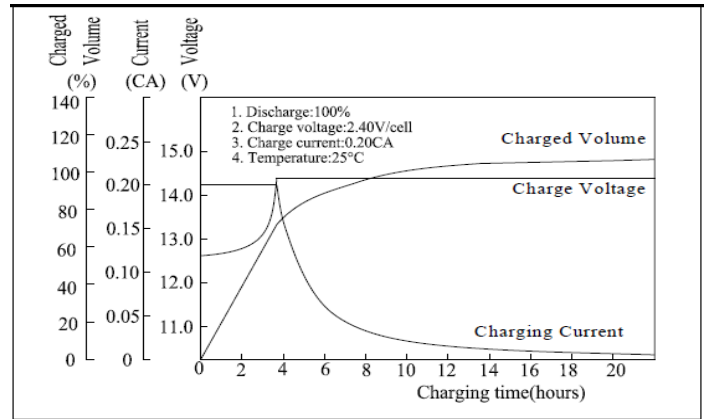
F.V/Time	5min	10min	15min	30min	1h	2h	3h	4h	5h	6h	10h	20h
1.80V/cell	98,11	86,59	63,37	39,84	21,18	12,36	9,94	7,84	6,38	5,45	3,99	2,02
1.75V/cell	99,50	87,53	64,00	40,16	22,21	12,67	10,04	8,00	6,44	5,47	4,00	2,03
1.70V/cell	106,61	89,41	65,25	40,78	22,90	12,99	10,20	8,16	6,50	5,52	4,00	2,04
1.67V/cell	113,81	90,66	68,39	41,35	23,37	13,30	10,35	8,16	6,56	5,61	4,01	2,04
1.60V/cell	120,92	96,94	71,53	42,35	23,65	13,62	10,67	8,47	6,62	5,65	4,02	2,04

GEL SERIES 6GFMJ40(12V40AH/10HR)

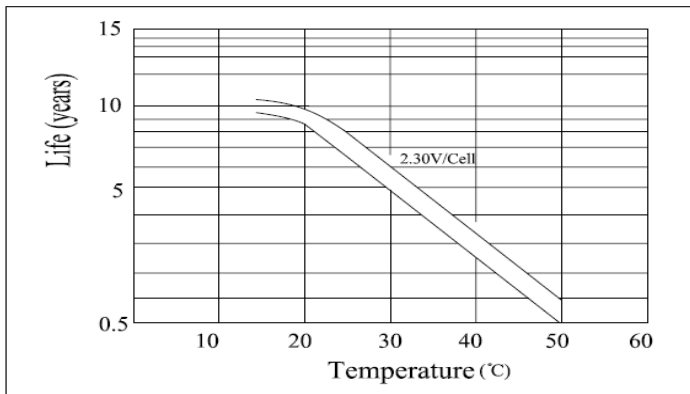
Discharge Characteristics



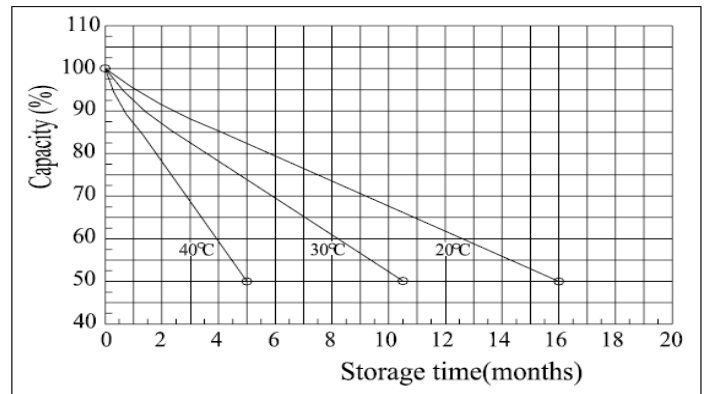
Charging Characteristics



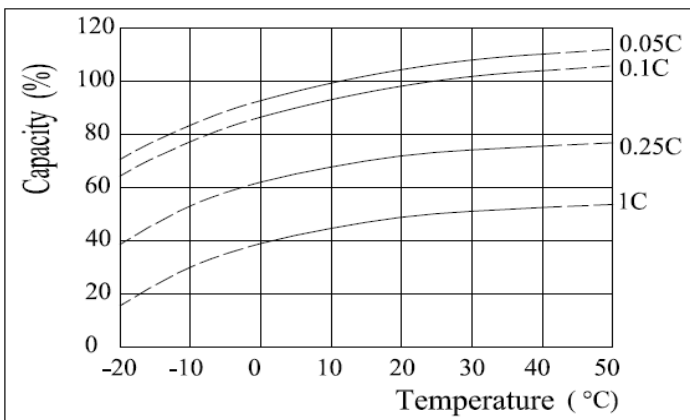
Floating Life on Temperature



Self Discharge Characteristics (25°C(77°F))



Temperature Effects in Relation to Battery Capacity



Cycle Life Relation to Depth of Discharge

