

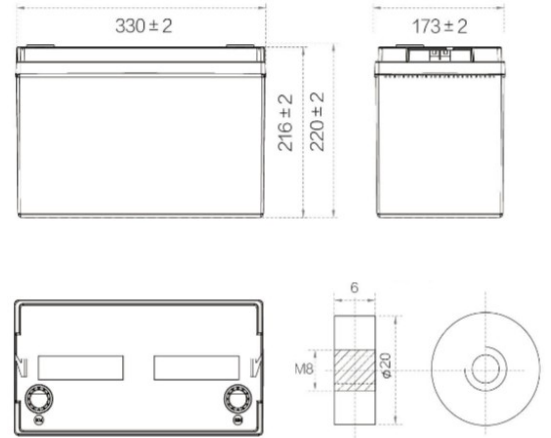
GEL SERIES 6GFMJ100(12V100AH/10HR)

Specifications

Nominal Voltage	12V	
Nominal Capacity(10hr)	100AH	
Dimension	Length	330±2mm(13inch)
	Width	173±2mm(6.81inch)
	Height	217±2mm(8.54inch)
	Total Height	220±2mm(8.66inch)
Approx Weight	Approx. 28.3kg(+ -4%)	
Terminal Type	T13/B5	
container Material	ABS(UL-94HB)	
Internal Resistance	Approx.14mΩ	
Rated Capacity	104.60AH	(20hr, 1.75V/cell,25°C/77°F)
	100.00AH	(10hr, 1.75V/cell,25°C/77°F)
	86.35AH	(5hr, 1.75V/cell,25°C/77°F)
	77.73AH	(3hr, 1.75V/cell,25°C/77°F)
	53.40AH	(1hr, 1.75V/cell,25°C/77°F)
Max. Discharge Current	1200A(5S)	
Nominal Operating Temp. Range	25±3°C (77±5°F)	
Cycle Use	Charge Current Less Than 0.25CA	
	14.1V~14.7V@25°C(77°F)Temp. Coefficient -30mV/°C	
Floating Use	No limit on Initial Charging Current Voltage	
	13.5V~13.8V@25°C(77°F)Temp. Coefficient -20mV/°C	
Capacity affected by Temperature	40°C	103%
	25°C	100%
	0°C	86%
	-15°C	65%
Self-discharge	3 month	Remaining capacity: 91%
	6 month	Remaining capacity:82%
	12month	Remaining capacity:65%



Dimensions



Constant Power Discharge at 25°C(77°F)

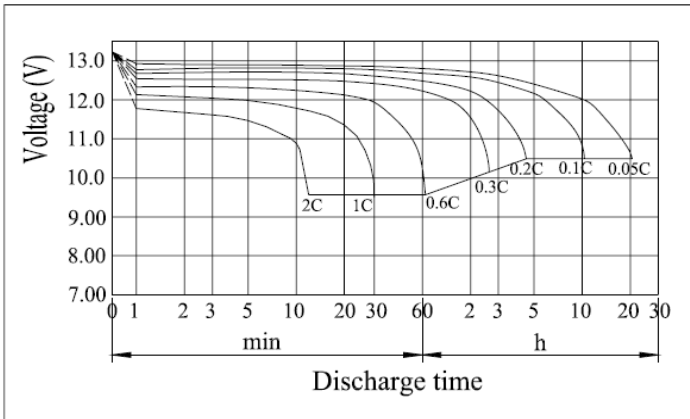
F.V/Time	5min	10min	15min	30min	1h	2h	3h	4h	5h	6h	10h	20h
1.80V/cell	594,9	404,7	277,1	168,6	103,2	64,44	50,10	39,41	33,40	22,31	19,21	10,06
1.75V/cell	600,0	408,2	279,5	169,9	104,1	64,98	50,52	39,74	33,68	22,50	19,50	10,21
1.70V/cell	614,9	418,4	286,5	174,2	106,7	66,61	51,79	40,73	34,52	23,06	19,79	10,36
1.67V/cell	629,9	428,6	293,4	178,4	109,4	68,23	53,05	41,72	35,37	23,62	20,08	10,51
1.60V/cell	658,0	447,7	306,5	186,4	114,2	71,28	55,42	43,58	36,94	24,68	20,36	10,66

Constant Current Discharge at 25°C(77°F)

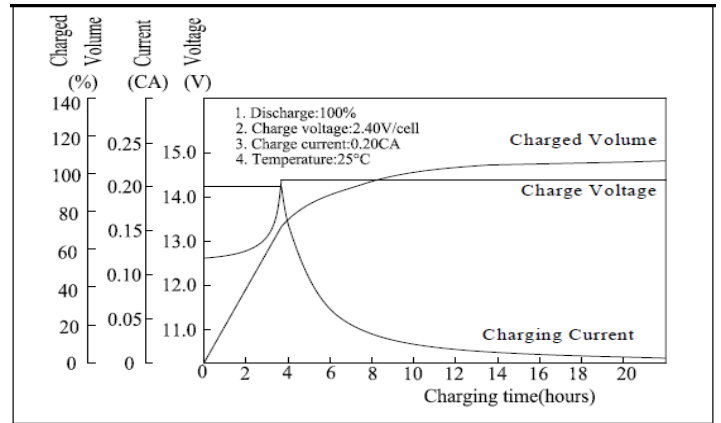
F.V/Time	5min	10min	15min	30min	1h	2h	3h	4h	5h	6h	10h	20h
1.80V/cell	305,1	207,6	142,1	86,42	52,95	33,04	25,69	20,21	17,13	11,45	9,88	5,16
1.75V/cell	307,7	209,3	143,3	87,15	53,40	33,33	25,91	20,37	17,27	11,54	9,98	5,23
1.70V/cell	315,4	214,6	146,9	89,34	54,74	34,16	26,56	20,89	17,70	11,83	10,13	5,31
1.67V/cell	323,0	219,8	150,4	91,51	56,07	34,99	27,20	21,40	18,14	12,12	10,33	5,39
1.60V/cell	337,4	229,5	157,1	95,58	58,57	36,55	28,41	22,35	18,94	12,66	10,48	5,47

GEL SERIES 6GFMJ100(12V100AH/10HR)

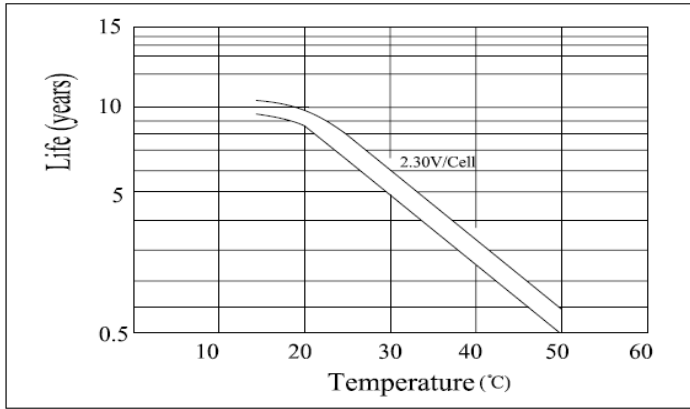
Discharge Characteristics



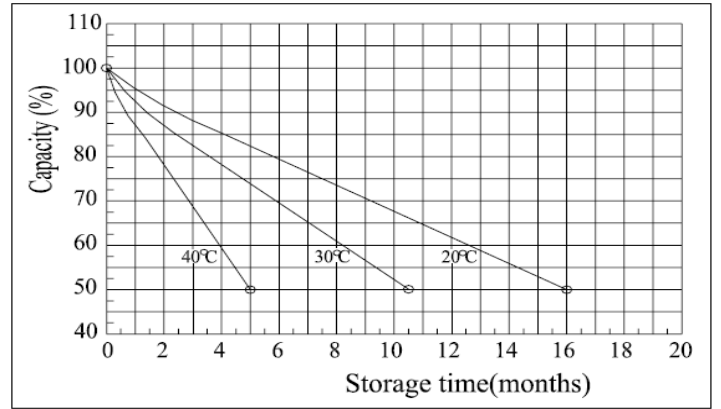
Charging Characteristics



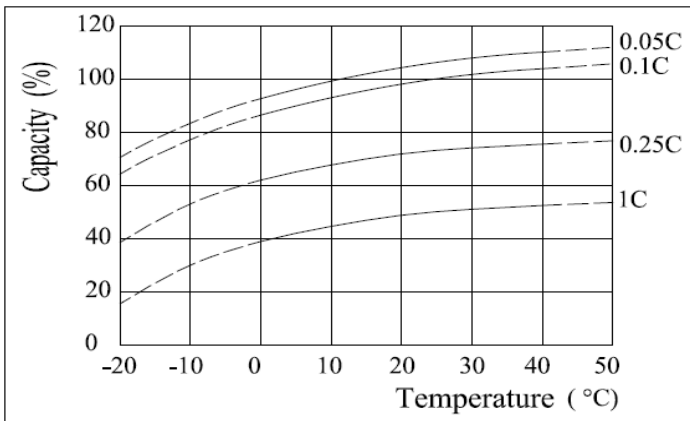
Floating Life on Temperature



Self Discharge Characteristics (25°C(77°F))



Temperature Effects in Relation to Battery Capacity



Cycle Life Relation to Depth of Discharge

